

Xtralis Integrated Security and Access Control S3000 RDCU

Reader / Door Control Unit

Description

The RDCU IP reader/door control unit is one of several network devices that make up the S3000 Access Control system, taking full advantage of the existing vantage of the IT network infrastructure and low cost structured cabling system (CAT5e or CAT6).

The RDCU is a single door controller with two Weigand reader connections that allow for both read-in and read-out applications. All door functions are connected and powered utilising the RDCU's PoE capability, including most door strikes and locking mechanisms. An optional relay is available for heavy duty locks and gate operators.

The RDCU supports plug-and-use technology, Power-over-Ethernet, strong encrypted TCP/IP communication (SSL), automatic IP assignment (via LPU), and optional Li-polymer battery pack.

The S3000 access control system is fully interoperable with the Xtralis 3000 Series family of products, including the V3100 for video and audio recording and transmission, the V3500 for mass storage and archiving, and the V3001 for video wall applications.



Xtralis Security Solution product family



Key Benefits

- Full IP, with power-over-Ethernet
- Full system redundancy
- Power/Control for 1 door
- Supports Weigand readers
- Plug-and-use technology
- Spanning Tree Protocol
- Internal fail safe control
- SSL data encryption
- IT network standards

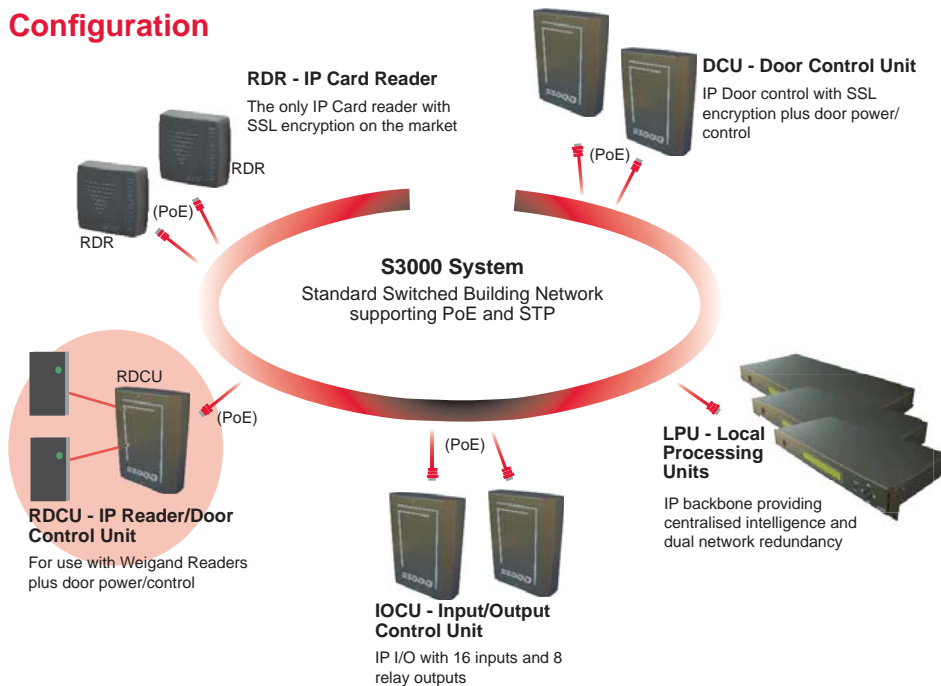


SECURITY SOLUTIONS

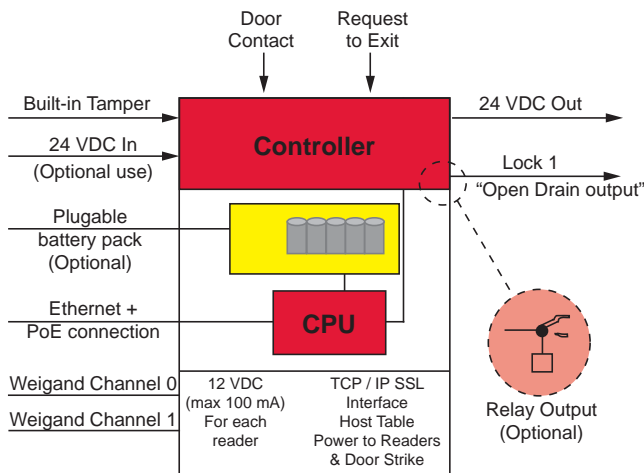
Xtralis Integrated Security and Access Control S3000 RDCU

Reader / Door Control Unit

Configuration



Block Diagram



Specifications

Connection
10/100 BaseT (RJ45 CAT 5e or CAT 6) IEEE 802.3af PoE Compliant.
Indicators
Multicoloured LEDs (Lock, Door state, Battery state)
Input
Enclosure tamper, supervised door contact, supervised push button Optional external power supply connection (24 VDC / 2 A) 2 reader channels (Weigand) each 12 VDC / 100 mA, Buzz, Red LED, Green LED
Output
24 VDC max 100 mA (peripheral use) Door lock control: MOSFET monitored output 24 VDC (25 mA to 1 A) Internal Li-polymer battery pack connection
Protocol
Strong encrypted (SSL) TCP/IP, DHCP, ARP, ICMP, SSH, IPv4, IPv6 Ready
Operational modes
Intelligent access control for 2 readers and 1 door controller Database on Local Processing Unit(s). Redundancy by multiple LPU's
Software
M3000 Windows-based security management software
Housing
Dimensions: 303 mm (12") H x 204 mm (8") W x 61 mm (2.4") D - Indoor use Colour: RAL 7016 Weight: 2.500 kg (5.512 lbs) Excl battery pack: 0.300 kg (0.661 lbs)
Power supply
Powered over Ethernet (IEEE 802.3af PoE) 12 Watt Optional Li-polymer battery pack
Temperature – Humidity
Operational temperature: 32 – 104°F -0 - 95% RH non-condensing
Product code
S3000 RDCU combined reader/door control for 2 readers/1 door – part number: 09003317 Optional Li-polymer battery pack for DCU, RDCU, IOCU, LPU - part number: 09003800

www.xtralis.com

The Americas +1 781 740 2223 Asia +852 2916 9976 Australia and New Zealand +61 3 9936 7000
Continental Europe +32 56 24 1951 UK and the Middle East +44 1442 242 330

The contents of this document are provided on an "as is" basis. No representation or warranty (either express or implied) is made as to the completeness, accuracy or reliability of the contents of this document. The manufacturer reserves the right to change designs or specifications without obligation and without further notice. Except as otherwise provided, all warranties, express or implied, including without limitation any implied warranties of merchantability and fitness for a particular purpose are expressly excluded.

This document includes registered and unregistered trademarks. All trademarks displayed are the trademarks of their respective owners. Your use of this document does not constitute or create a licence or any other right to use the name and/or trademark and/or label.

This document is subject to copyright owned by Xtralis AG ("Xtralis"). You agree not to copy, communicate to the public, adapt, distribute, transfer, sell, modify or publish any contents of this document without the express prior written consent of Xtralis.

Doc. no. 14531_02



SECURITY SOLUTIONS